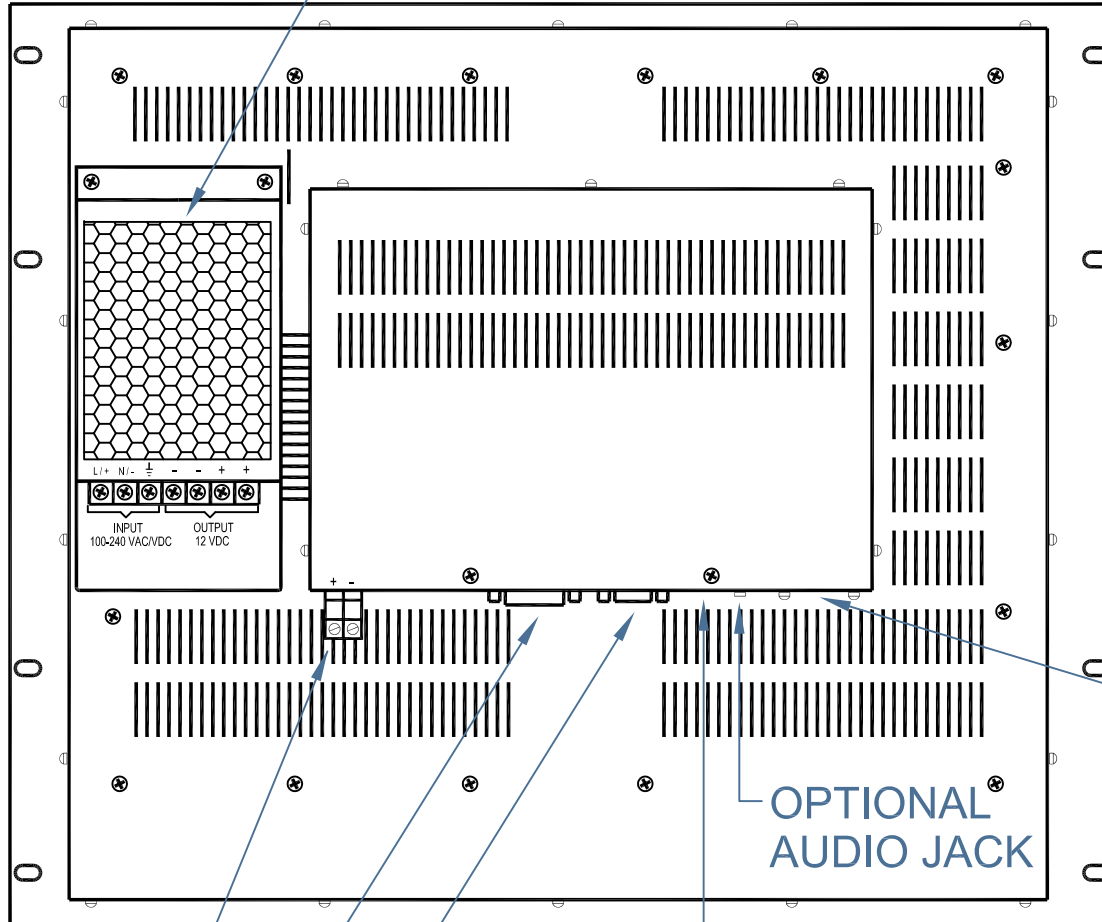


FRONT VIEW

DATE 02-13-2022	DRAWN BY B.G.	MODEL TR-LCD1900-OSD-RM-V2		
PRODUCT RACK MOUNT VERSION		REVISION 1	SCALE NTS	
FINISH CRINKLE BLACK POWDER PAINT	Transduction		CHECKED BY	NTS
TITLE LAYOUT			DRAWING No B-705	

DETACHABLE POWER SUPPLY



15.750 (9U)

OPTIONAL
USB PORT
FOR TOUCH
SCREEN

OPTIONAL
AUDIO JACK

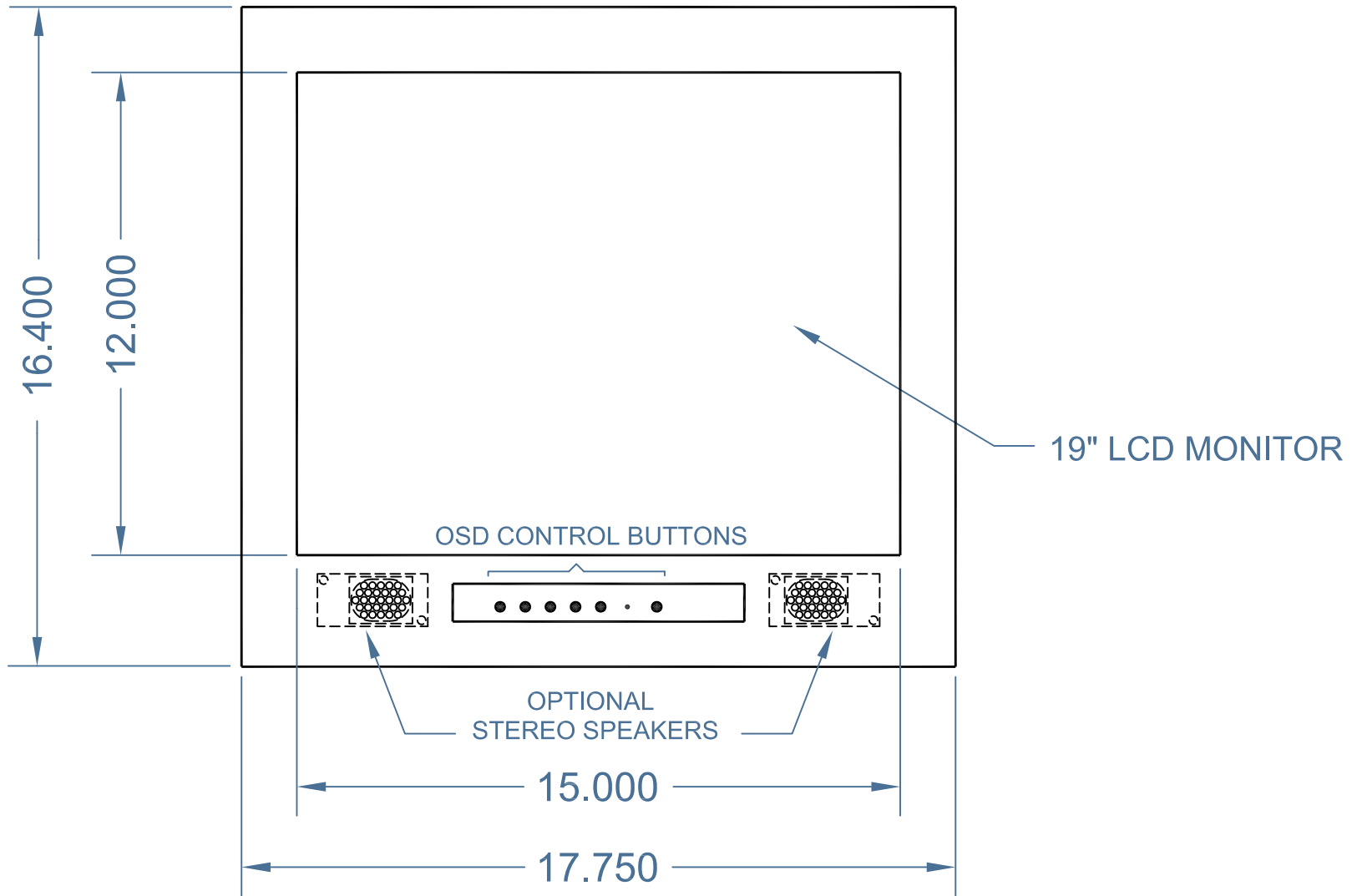
18.960

DISPLAY PORT INPUT

12VDC INPUT
DVI INPUT
ANALOG RGB
(VGA) INPUT

REAR VIEW

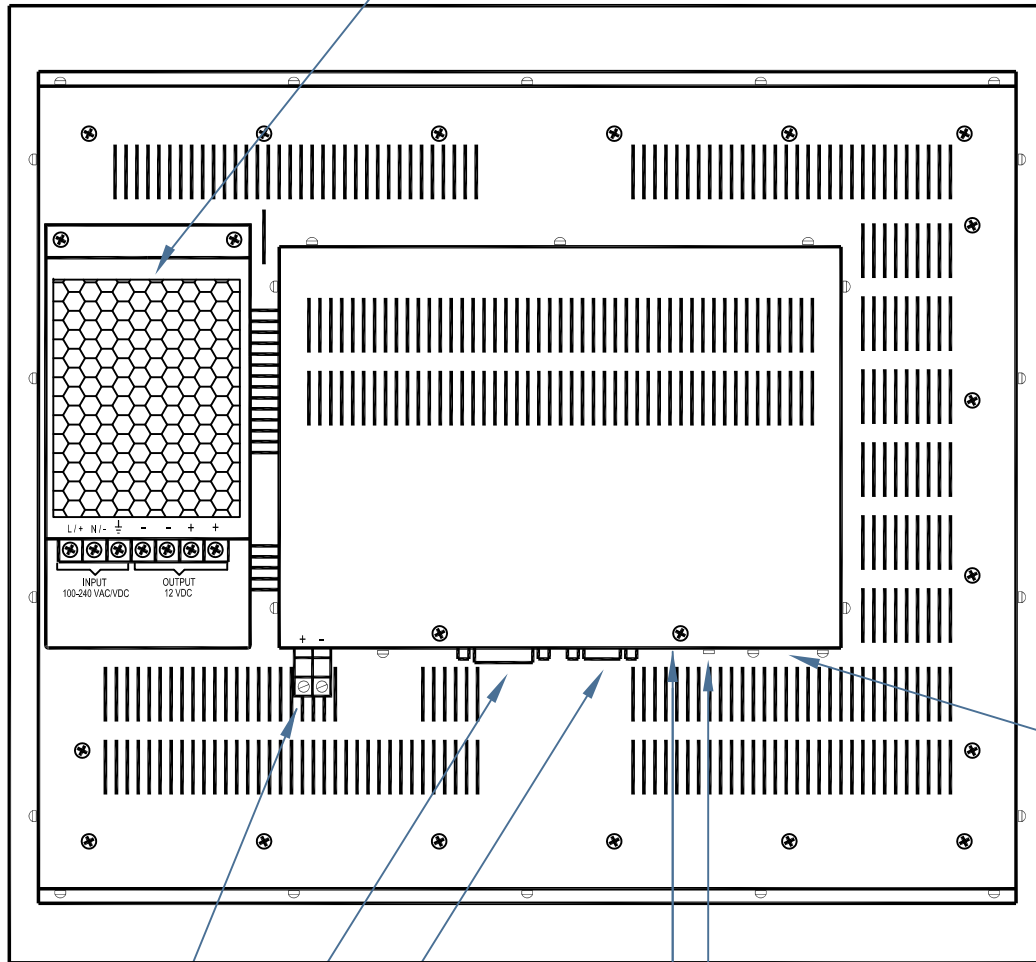
DATE 02-13-2022	DRAWN BY B.G.	MODEL TR-LCD1900-OSD-RM-V2
PRODUCT RACK MOUNT VERSION		REVISION 1
FINISH Transduction		CHECKED BY NTS
TITLE LAYOUT		DRAWING No B-704



FRONT VIEW

DATE 02-13-2022	DRAWN BY B.G.	MODEL TR-LCD1900-OSD-PM-V2
PRODUCT PANEL MOUNT VERSION		REVISION 1
FINISH CRINKLE BLACK POWDER PAINT	CHECKED BY NTS	
TITLE LAYOUT		DRAWING No B-707

DETACHABLE POWER SUPPLY



16.400

OPTIONAL
USB PORT
FOR TOUCH
SCREEN

OPTIONAL
AUDIO JACK

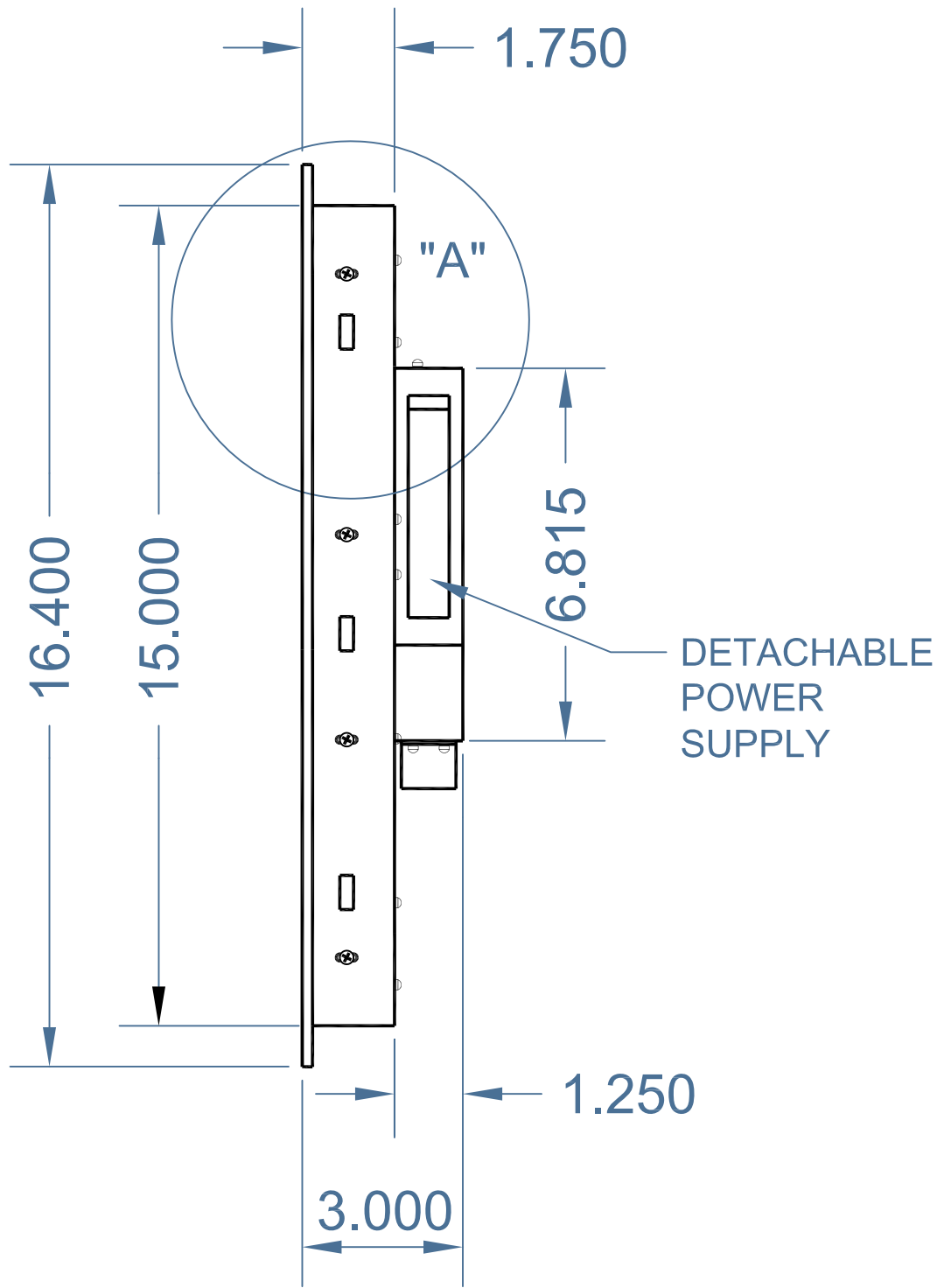
DISPLAY PORT INPUT

17.750

12VDC INPUT
DVI INPUT
ANALOG RGB
(VGA) INPUT

REAR VIEW

DATE 02-13-2022	DRAWN BY B.G.	MODEL TR-LCD1900-OSD-PM-V2
PRODUCT PANEL MOUNT VERSION		REVISION SCALE
FINISH	Transduction	CHECKED BY 1 NTS
TITLE LAYOUT		DRAWING No B-708



RIGHT SIDE VIEW

NOTE: FOR DETAIL "A" LOOK
DRAWING B-441

DATE 07-03-2009	DRAWN BY B. G.	MODEL TR-LCD1900-OSD-PM		
PRODUCT PANEL MOUNT VERSION		REVISION	SCALE	
FINISH CRINKLE BLACK POWDER PAINT	Transduction		CHECKED BY	NTS
TITLE LAYOUT			DRAWING No B-439	