

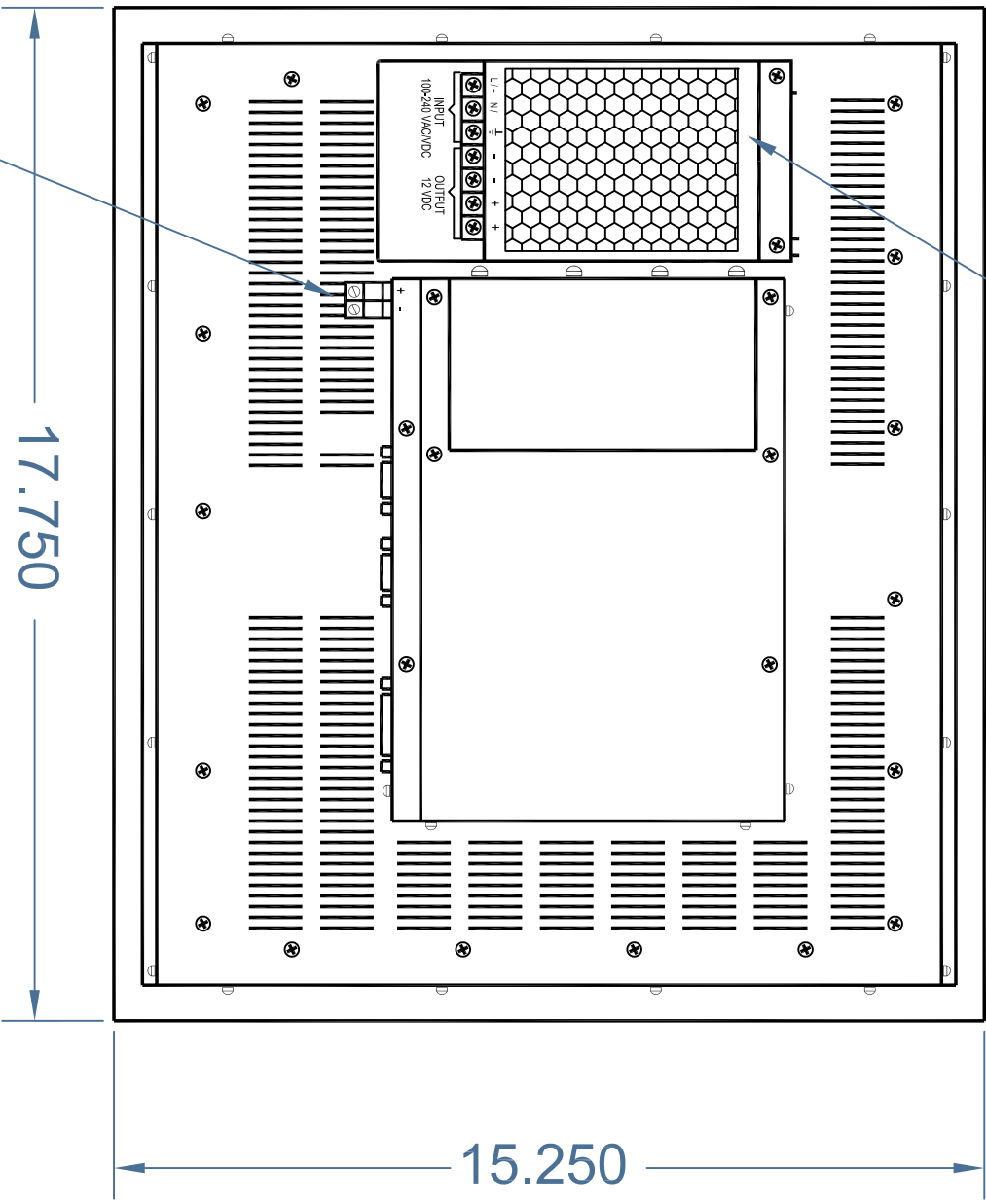
19" LCD SCREEN

FRONT VIEW

DATE	12-07-2024	DRAWN BY	B.G.	MODEL	TR-LCD1900-ITX-i5-V2
PRODUCT	PANEL MOUNT COMPUTER				
FINISH	CRINKLE BLACK POWDER PAINT			REVISION	1
TITLE	LAYOUT	DRAWING No	B-555		
			CHECKED BY	NTS	
			SCALE		

12VDC INPUT

DETACHABLE POWER SUPPLY

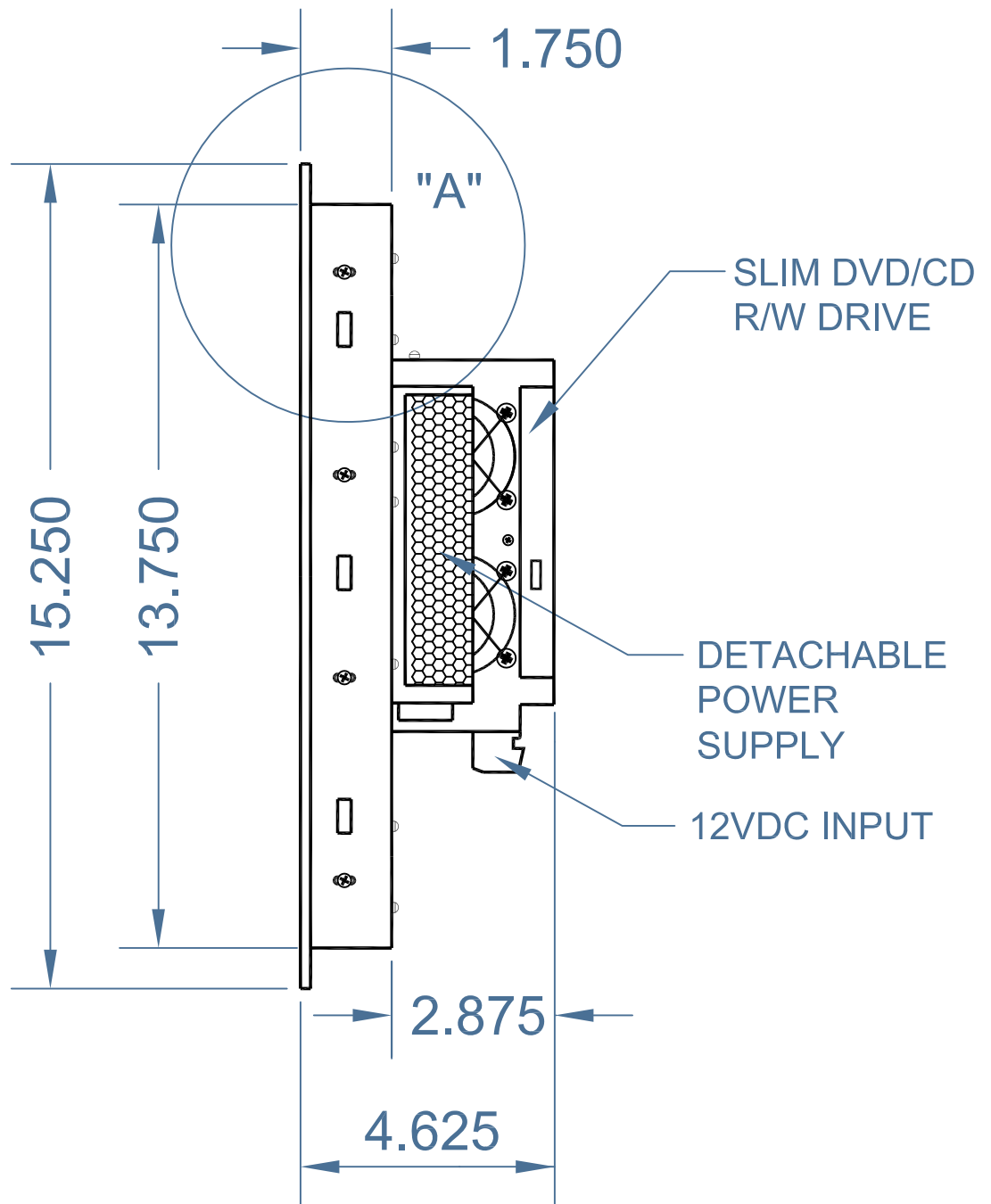


17.750

15.250

REAR VIEW

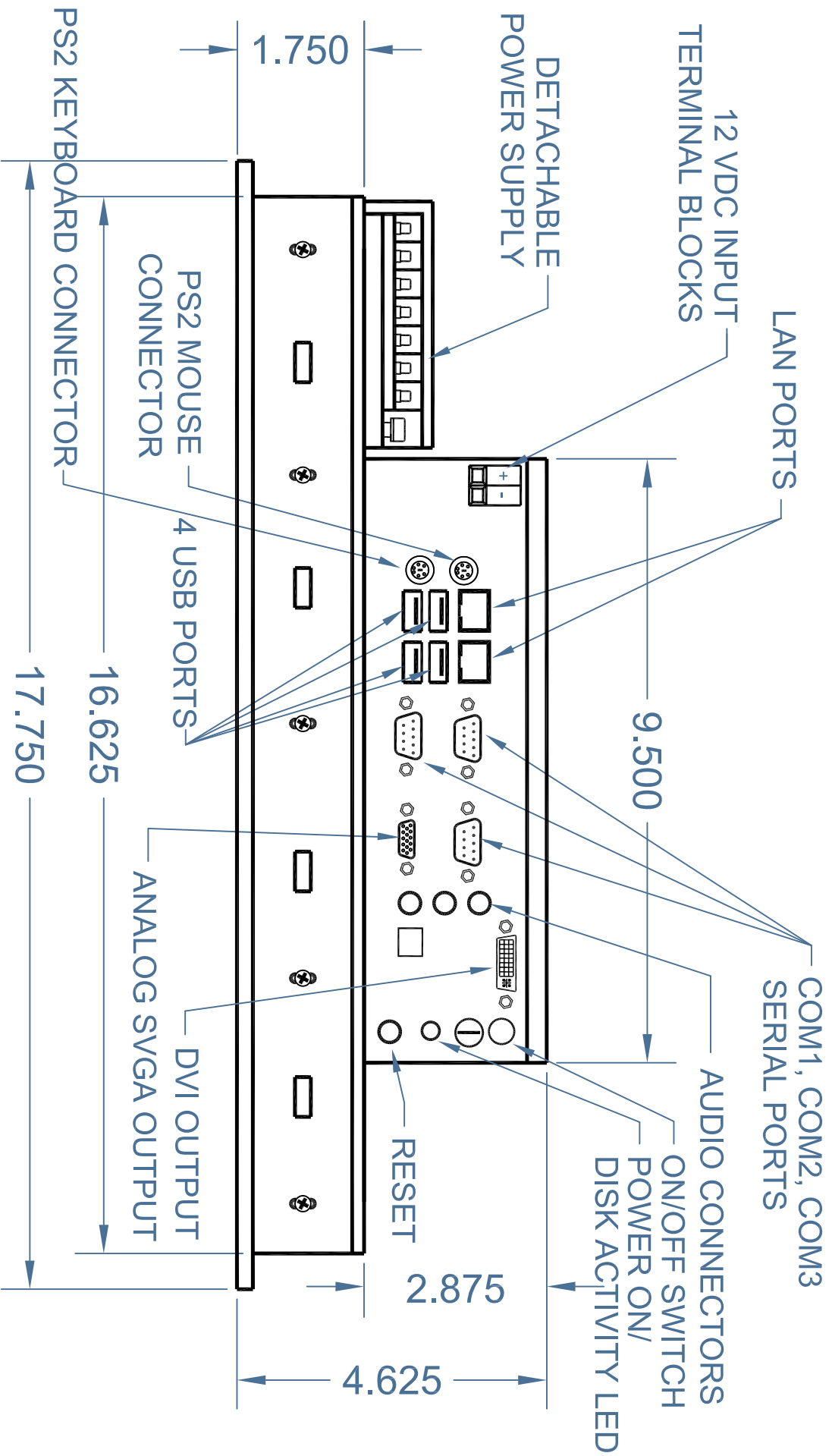
DATE	12-07-2024	DRAWN BY	B.G.	MODEL	TR-LCD1900-ITX-15-V2
PRODUCT	PANEL MOUNT COMPUTER		REVISION	1	
FINISH	Transduction		CHECKED BY	NTS	
TITLE	LAYOUT		DRAWING No	B-556	
				SCALE	NTS



RIGHT SIDE VIEW

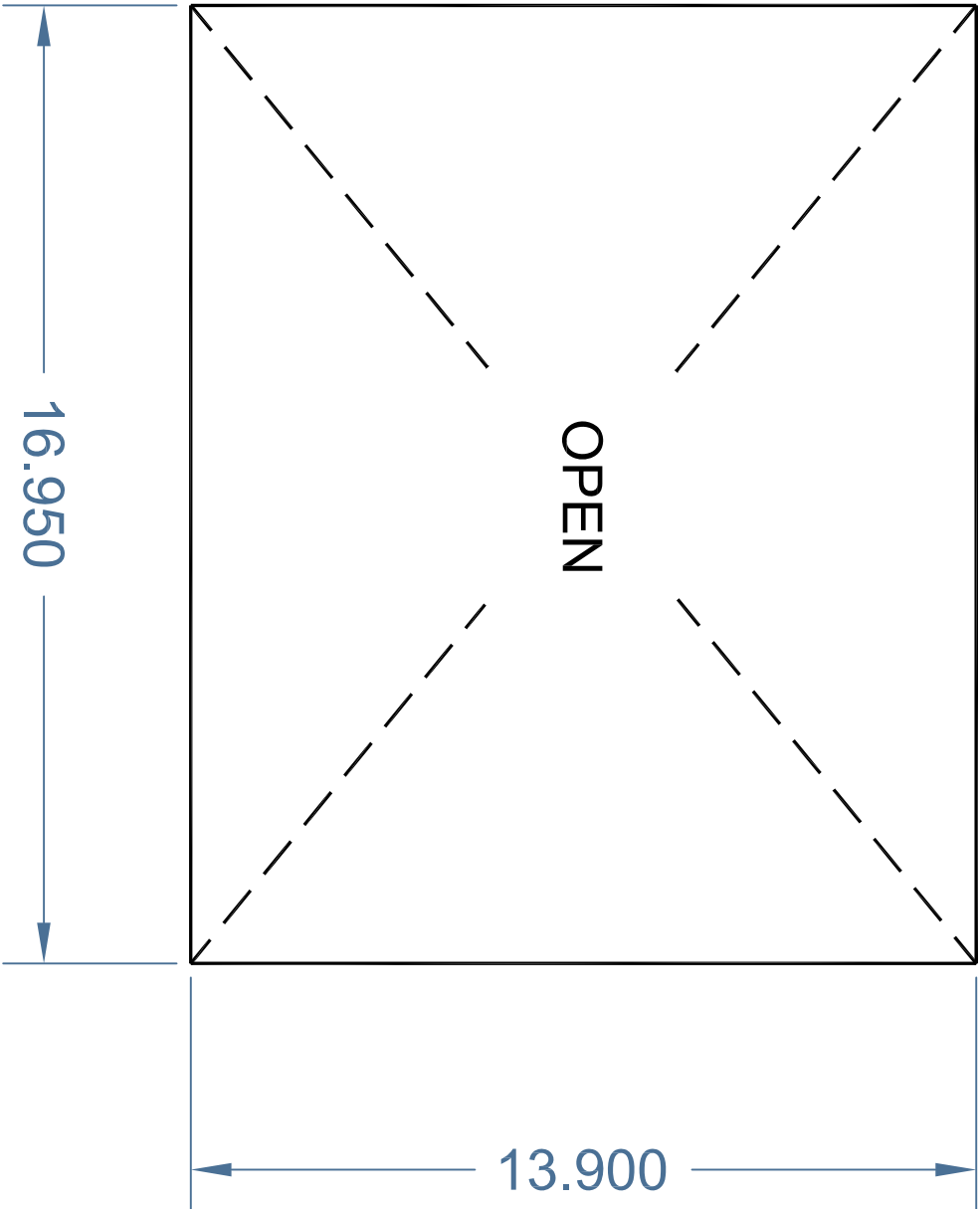
NOTE: FOR DETAIL "A" LOOK  
DRAWING B-560 - REV. 1

DATE 12-07-2024	DRAWN BY B. G.	MODEL TR-LCD1900-ITX-i5-V2		
PRODUCT PANEL MOUNT COMPUTER			REVISION 1	SCALE NTS
FINISH CRINKLE BLACK POWDER PAINT		<b>Transduction</b>	CHECKED BY	NTS
TITLE LAYOUT			DRAWING No B-557	

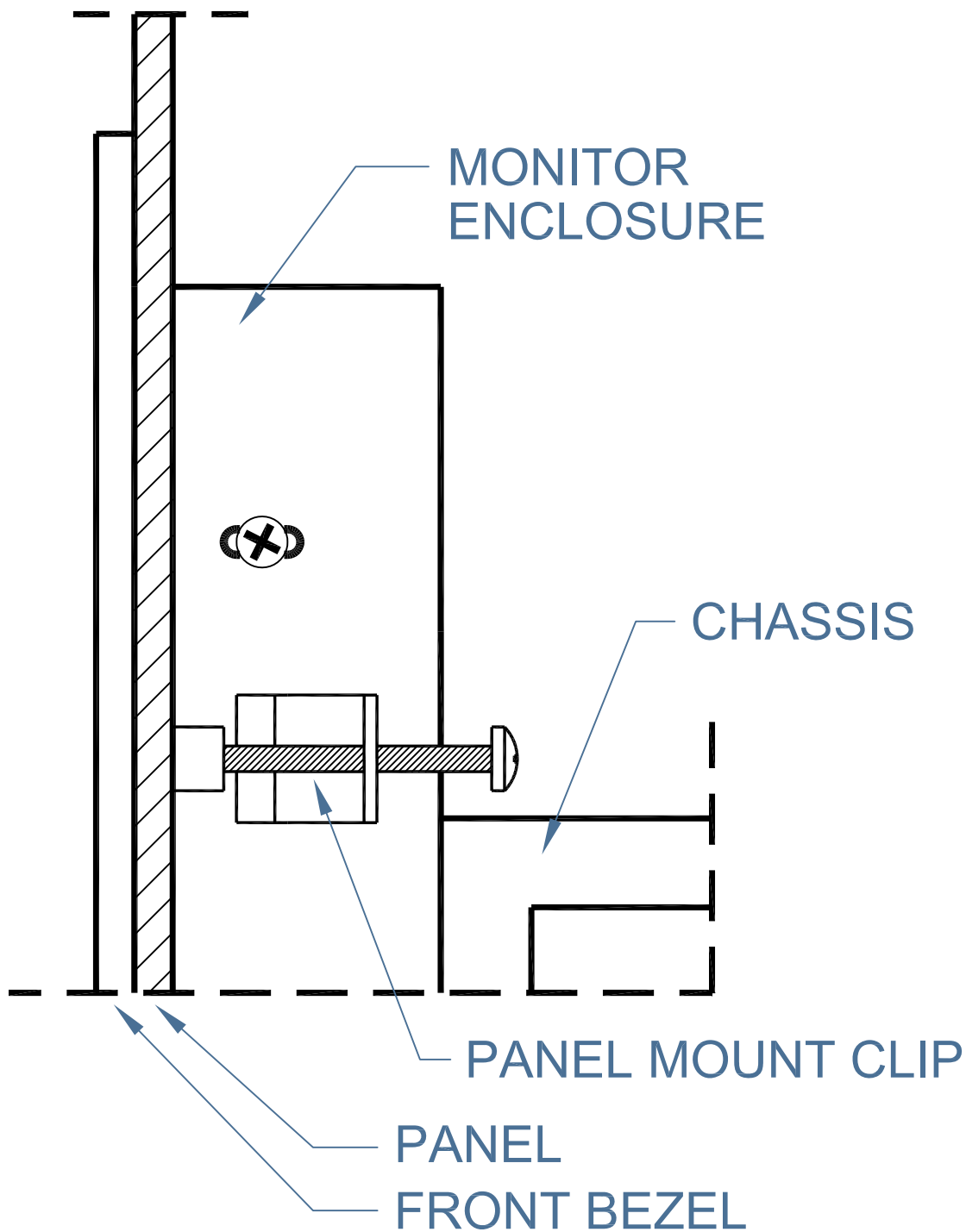


**BOTTOM VIEW**

DATE	12-07-2024	DRAWN BY	B.G.	MODEL	TR-LCD1900-ITX-i5-V2
PRODUCT	PANEL MOUNT COMPUTER		REVISION	1	SCALE
FINISH	CRINKLE BLACK POWDER PAINT	Transduction	CHECKED BY	NTS	
TITLE	LAYOUT	DRAWING No	B-558		

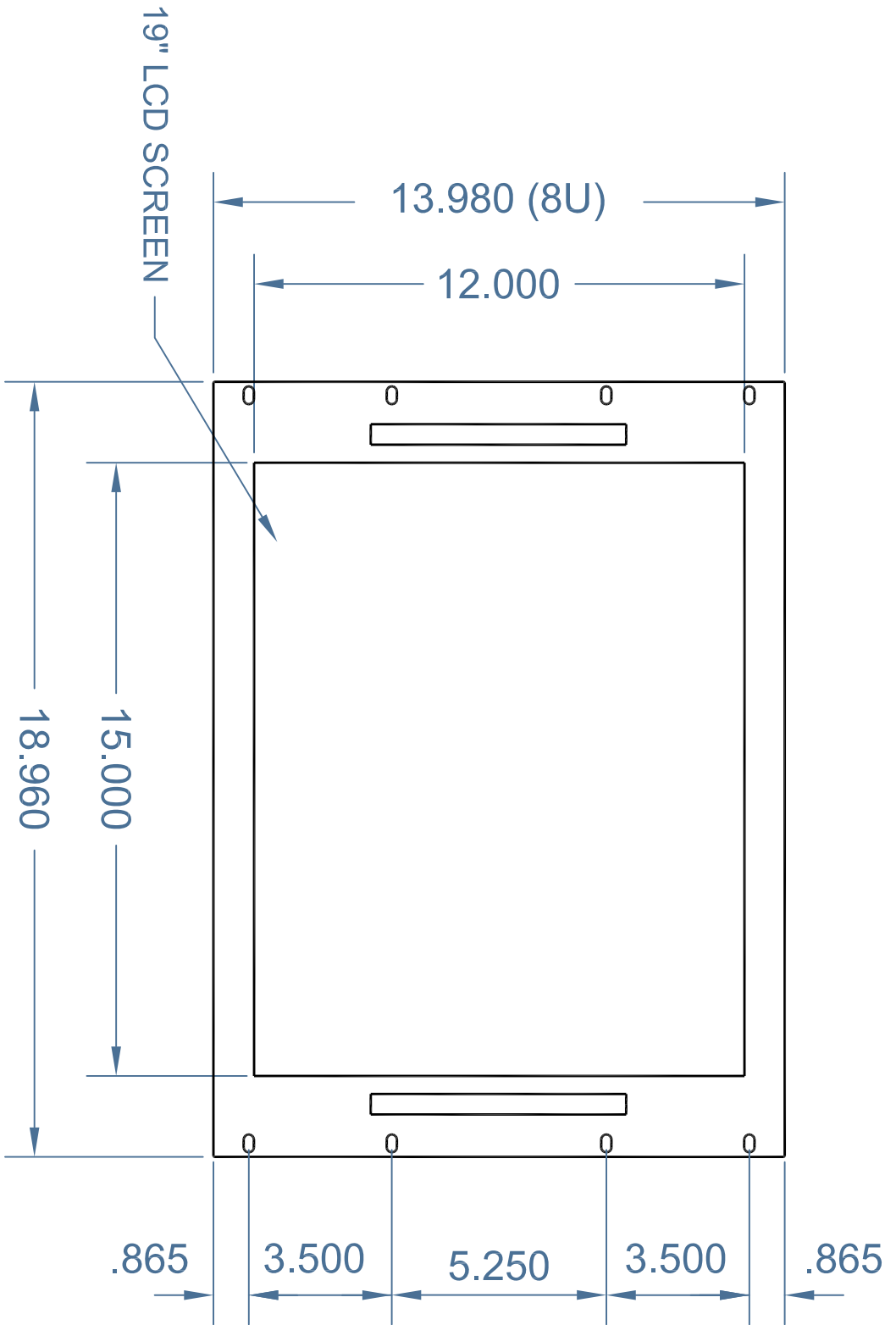


DATE	12-07-2024	DRAWN BY	B.G.	MODEL	TR-LCD1900-ITX-i5-V2	
PRODUCT	PANEL MOUNT COMPUTER		REVISION	1	SCALE	NTS
FINISH	Transduction		CHECKED BY			
TITLE	CUTOUT		DRAWING No	B-559		



NOTE: CLIP ATTACHED FROM BEHIND AFTER CHASSIS PLACEMENT IN THE PANEL OPENING

DATE 12-07-2024	DRAWN BY B. G.	MODEL TR-LCD1900-ITX-i5-V2
PRODUCT PANEL MOUNT COMPUTER	REVISION 1	SCALE NTS
FINISH	Transduction	CHECKED BY
TITLE DETAIL "A"	DRAWING No B-560	

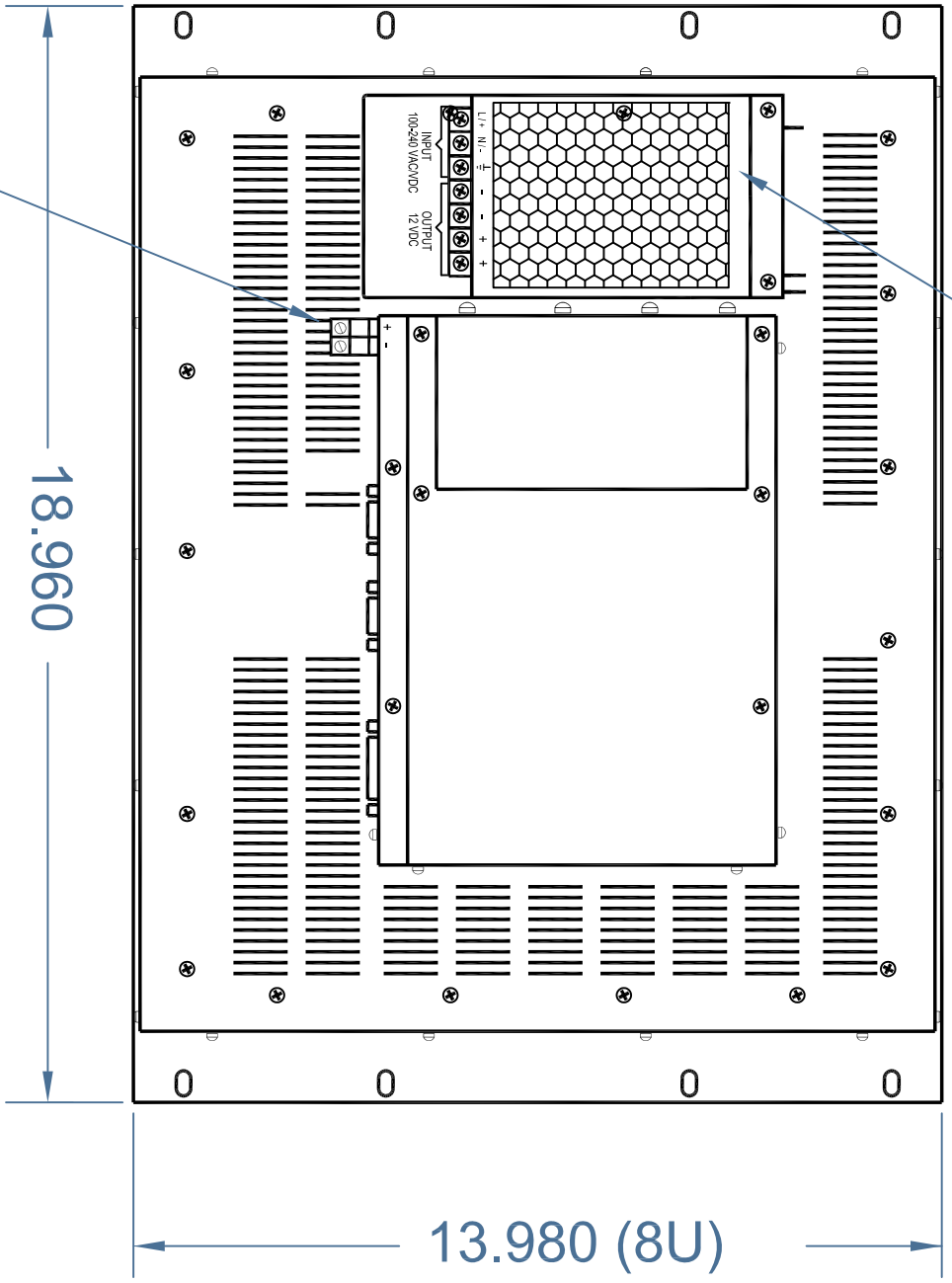


# FRONT VIEW

DATE	01-21-2025	DRAWN BY	B.G.	MODEL	TR-LCD1900-ITX-15-V2
PRODUCT	RACK MOUNT COMPUTER		REVISION	1	CHECKED BY
FINISH	CRINKLE BLACK POWDER PAINT	Transduction		SCALE	NTS
TITLE	LAYOUT			DRAWING No	B-561

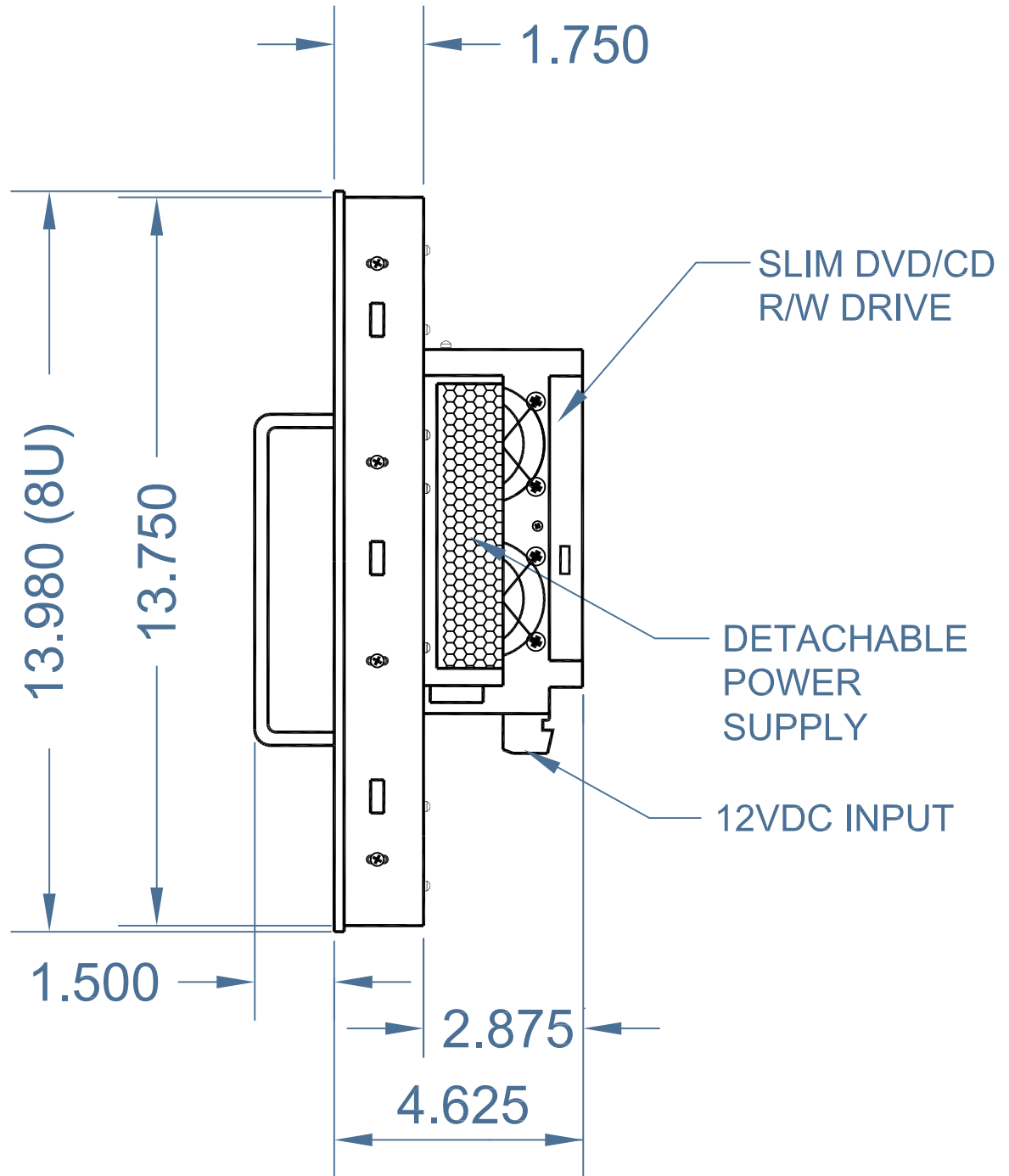
12VDC INPUT

DETACHABLE POWER SUPPLY



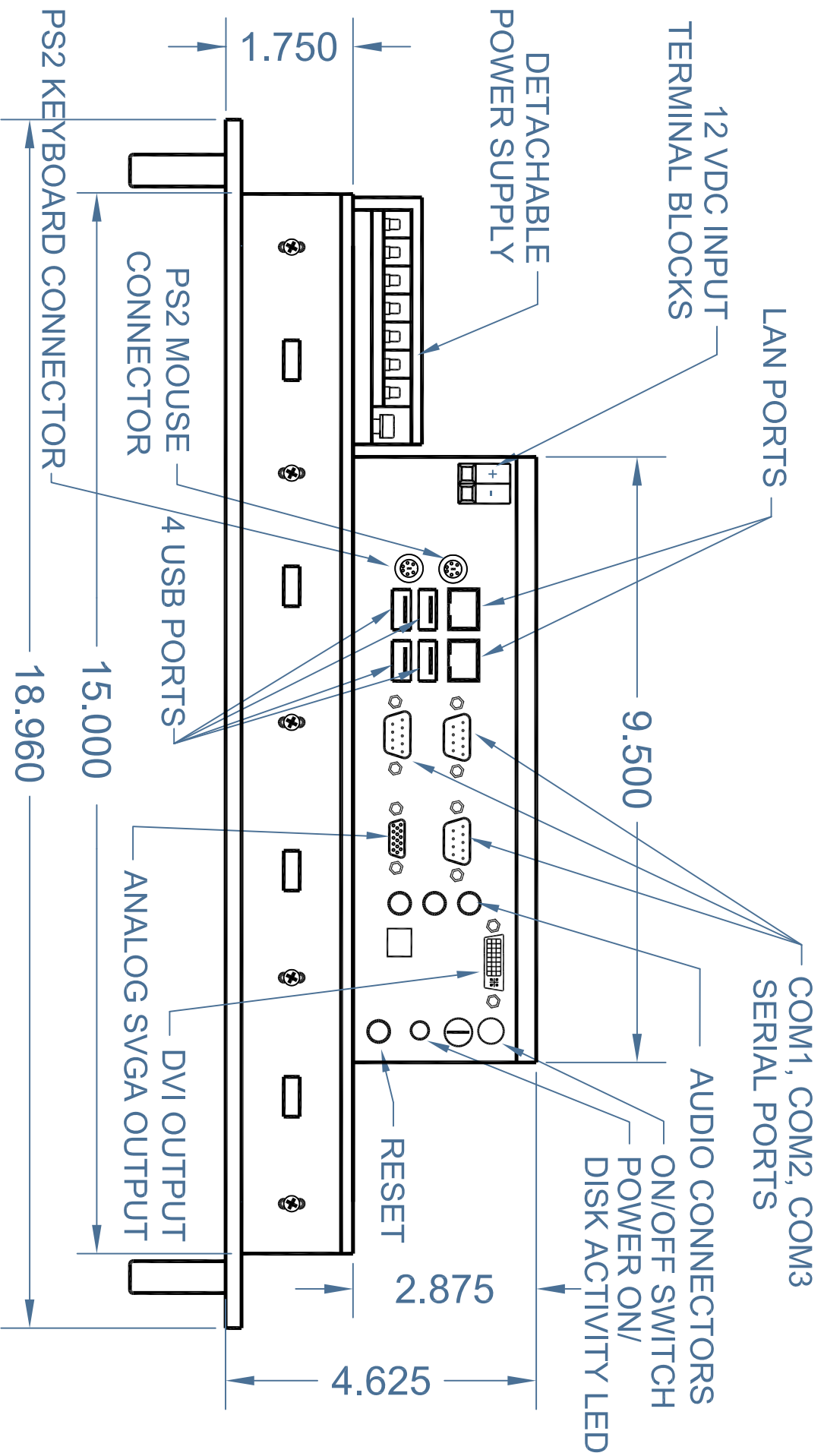
REAR VIEW

DATE	01-21-2025	DRAWN BY	B.G.	MODEL	TR-LCD1900-ITX-15-V2	
PRODUCT	RACK MOUNT COMPUTER				REVISION	1
FINISH	Transduction				CHECKED BY	NTS
TITLE	LAYOUT			DRAWING No	B-562	



RIGHT SIDE VIEW

DATE 01-21-2025	DRAWN BY B. G.	MODEL TR-LCD1900-ITX-i5-V2
PRODUCT RACK MOUNT COMPUTER		REVISION 1
FINISH CRINKLE BLACK POWDER PAINT	<b>Transduction</b>	CHECKED BY NTS
TITLE LAYOUT		DRAWING No B-563



# BOTTOM VIEW

DATE	01-21-2025	DRAWN BY	B.G.	MODEL	TR-LCD1900-ITX-15-V2
PRODUCT	RACK MOUNT COMPUTER	FINISH	CRINKLE BLACK POWDER PAINT	REVISION	1
TITLE	LAYOUT	CHECKED BY	NTS	SCALE	NTS
Transduction		DRAWING No B-564			