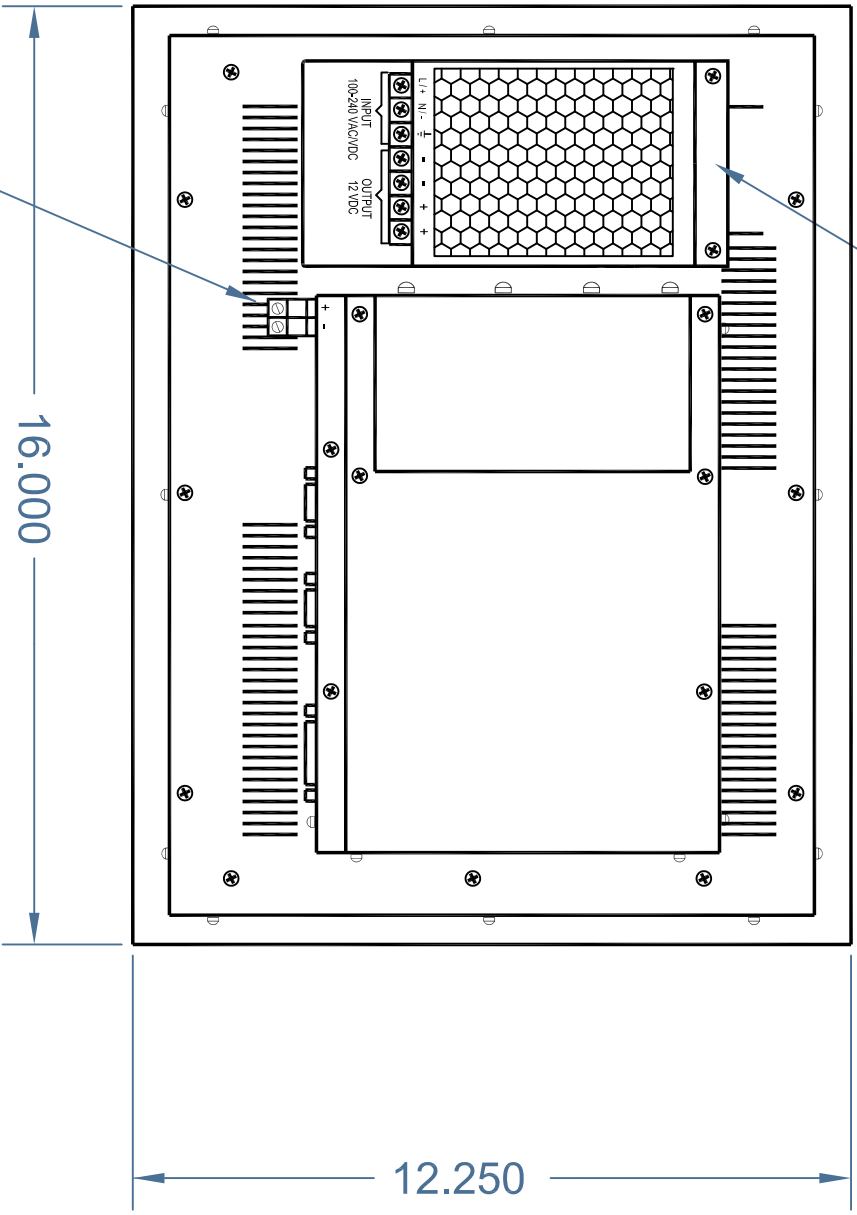


15" LCD SCREEN

FRONT VIEW

DATE	12-07-2024	DRAWN BY	B.G.	MODEL	TR-LCD1500-ITX-i5-V2
PRODUCT	PANEL MOUNT COMPUTER		REVISION	1	SCALE
FINISH	CRINKLE BLACK POWDER PAINT	Transduction	CHECKED BY	NTS	
TITLE	LAYOUT	DRAWING No	B-565		

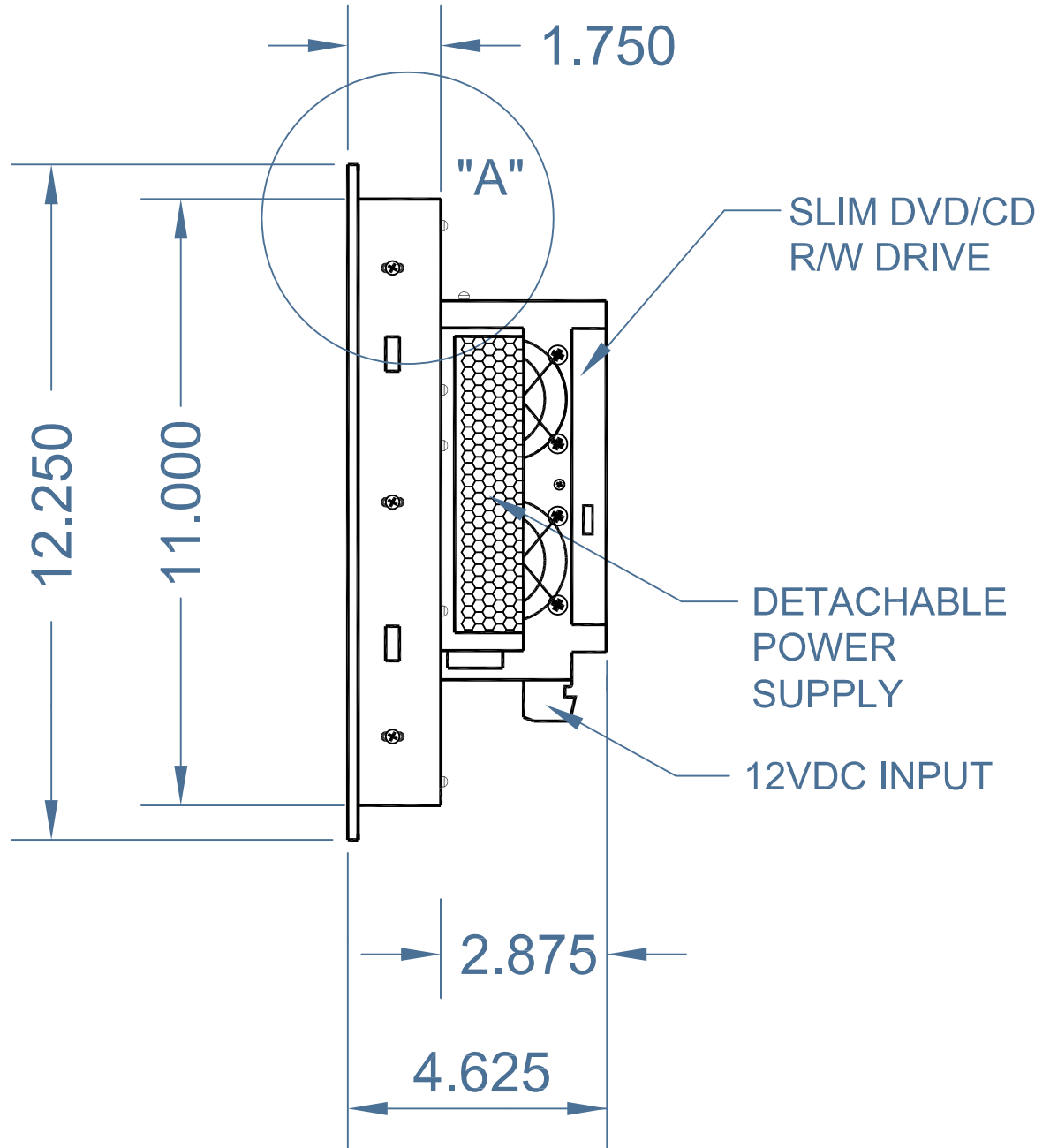
12VDC INPUT



DETACHABLE POWER SUPPLY

REAR VIEW

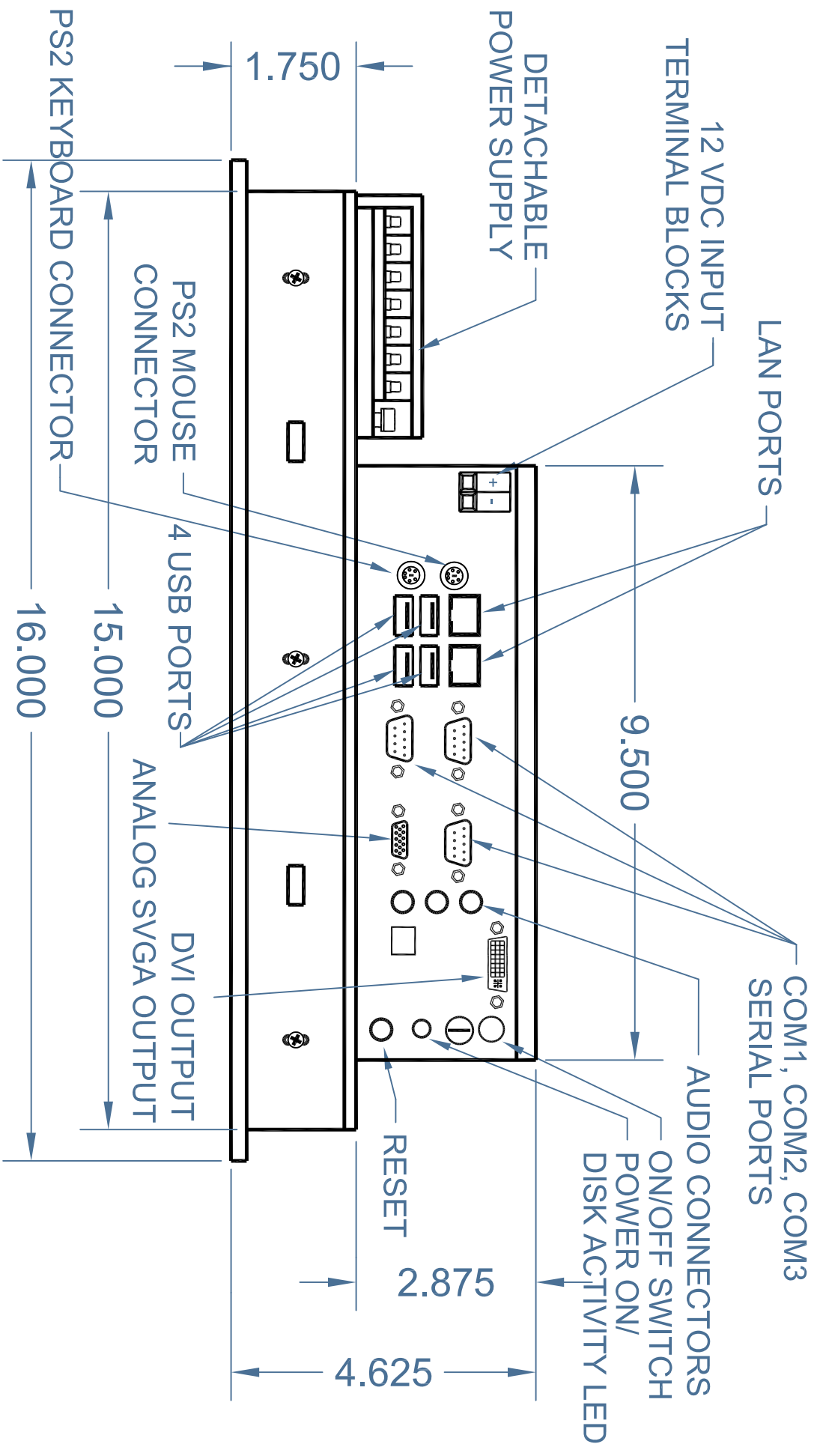
DATE	12-07-2024	DRAWN BY	B.G.	MODEL	TR-LCD1500-ITX-i5-V2	
PRODUCT	PANEL MOUNT COMPUTER		REVISION	1	SCALE	NTS
FINISH	Transduction		CHECKED BY	NTS		
TITLE	LAYOUT		DRAWING No	B-566		



RIGHT SIDE VIEW

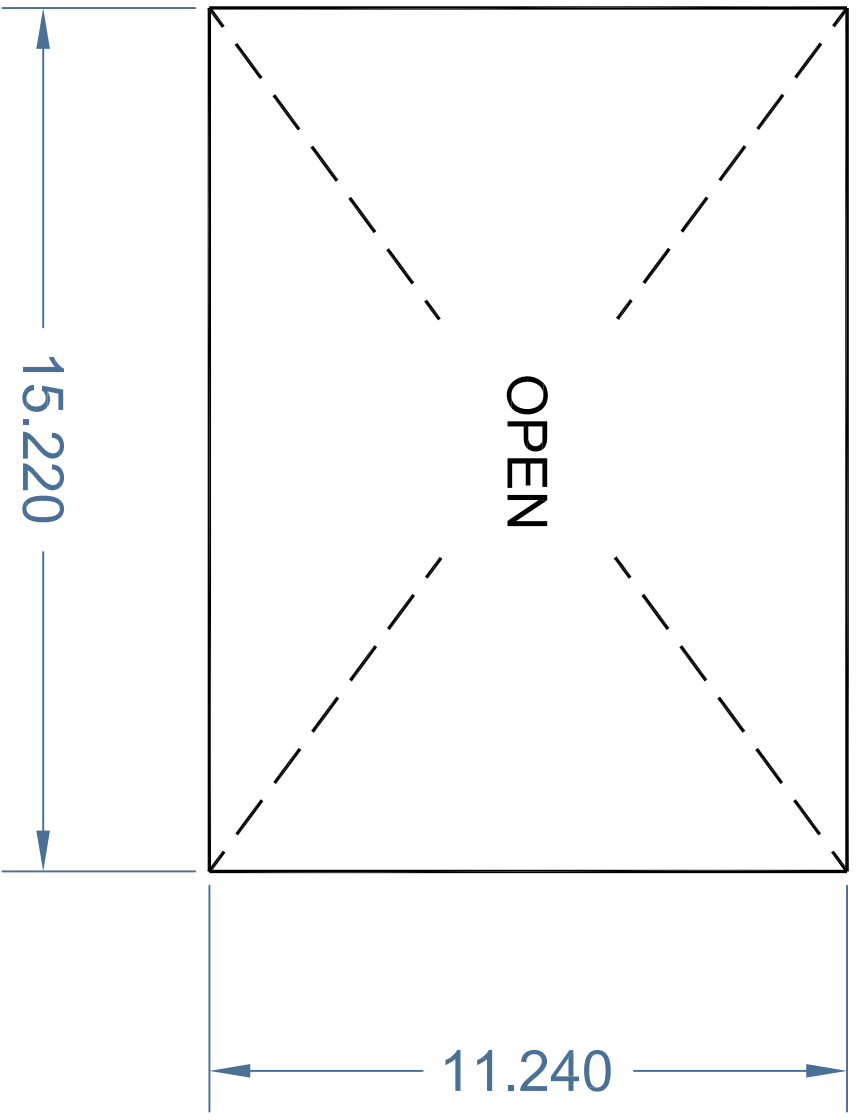
NOTE: FOR DETAIL "A" LOOK
DRAWING B-570 REV. 1

DATE 12-07-2024	DRAWN BY B. G.	MODEL TR-LCD1500-ITX-i5-V2
PRODUCT PANEL MOUNT COMPUTER		REVISION 1
FINISH CRINKLE BLACK POWDER PAINT	Transduction	CHECKED BY NTS
TITLE LAYOUT		DRAWING No B-567

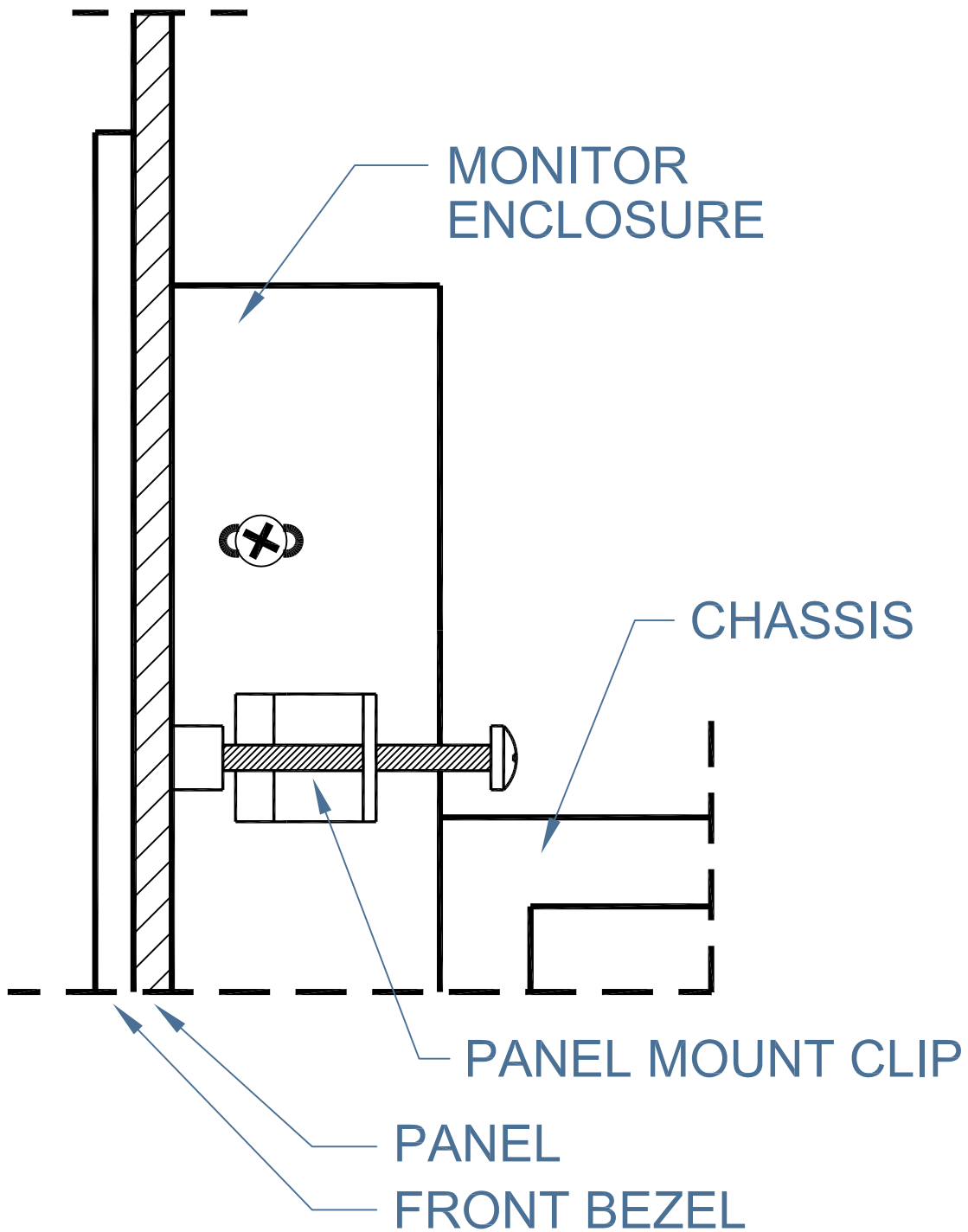


BOTTOM VIEW

DATE	12-07-2024	DRAWN BY	B.G.	MODEL	TR-LCD1500-ITX-15-V2
PRODUCT	PANEL MOUNT COMPUTER		REVISION	1	SCALE
FINISH	CRINKLE BLACK	CHECKED BY	NTS		
	POWDER PAINT				
TITLE	LAYOUT		DRAWING No	B-568	

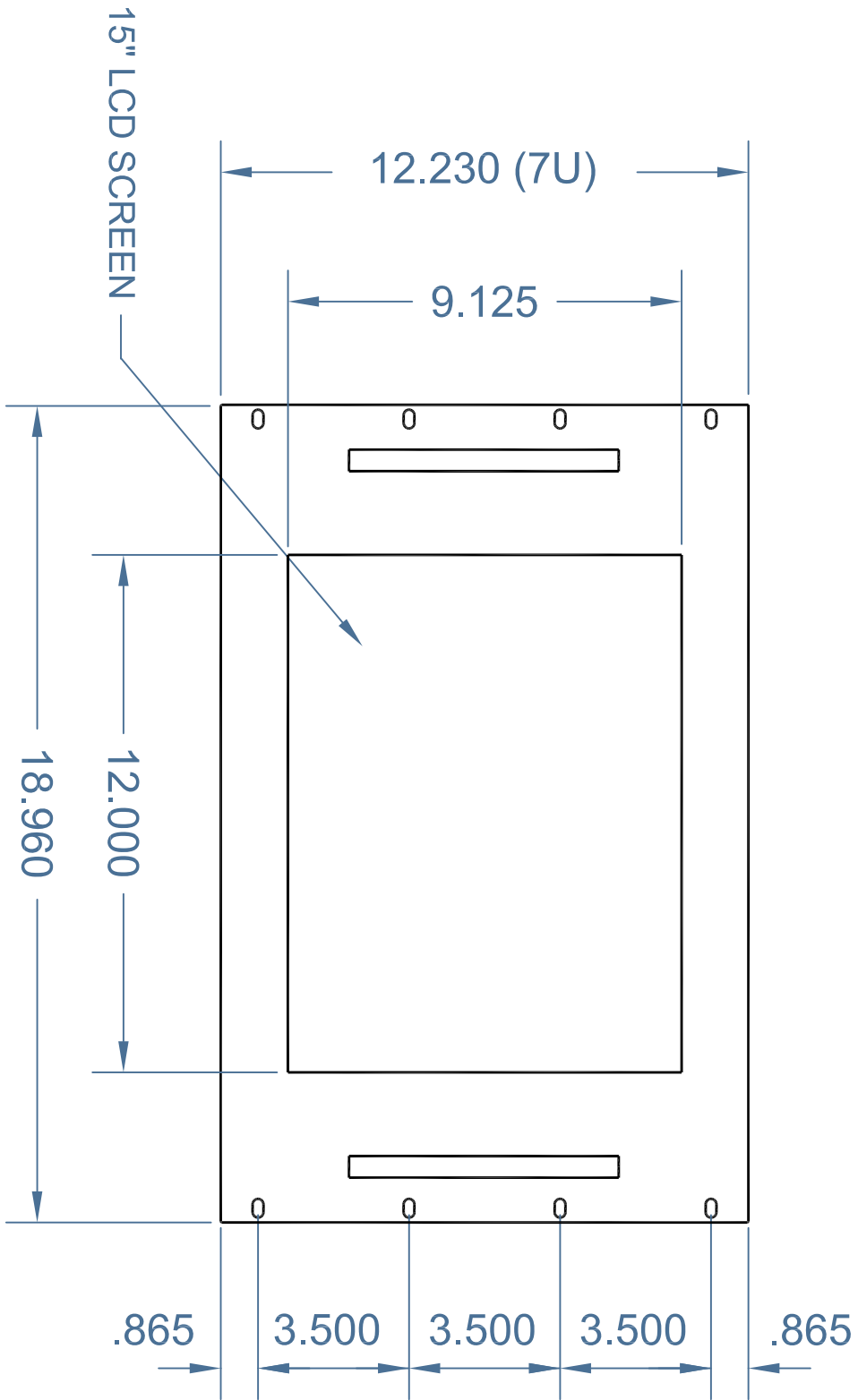


DATE	01-22-2025	DRAWN BY	B.G.	MODEL	TR-LCD1500-ITX-15-V2
PRODUCT	PANEL MOUNT COMPUTER			REVISION	1
FINISH	Transduction			CHECKED BY	NTS
TITLE	CUTOUT			DRAWING No	B-569
				SCALE	NTS



NOTE: CLIP ATTACHED FROM BEHIND AFTER CHASSIS PLACEMENT IN THE PANEL OPENING

DATE 01-22-2025	DRAWN BY B. G.	MODEL TR-LCD1500-ITX-i5-V2
PRODUCT PANEL MOUNT COMPUTER	REVISION 1	SCALE NTS
FINISH	Transduction	CHECKED BY
TITLE DETAIL "A"	DRAWING No B-570	

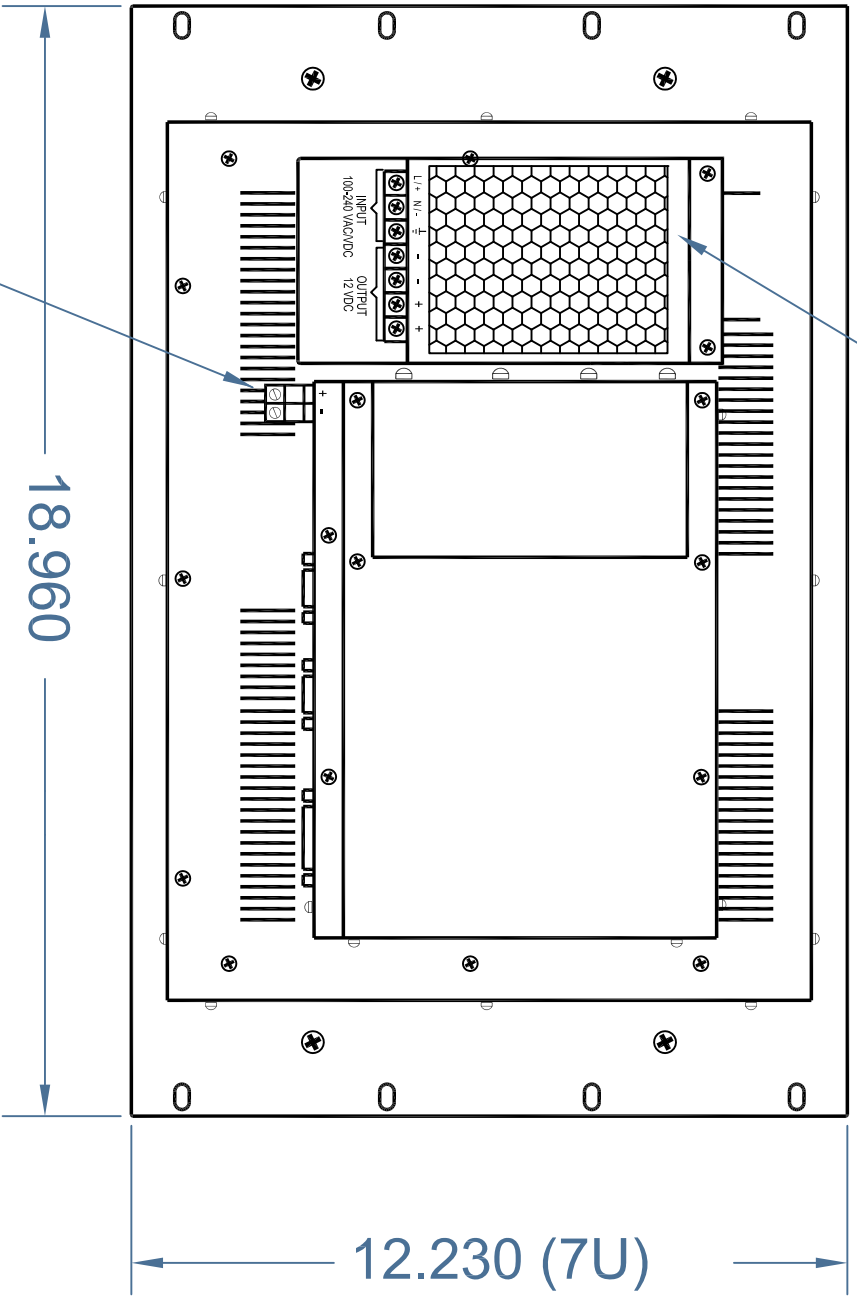


FRONT VIEW

DATE	01-22-2025	DRAWN BY	B.G.	MODEL	TR-LCD1500-ITX-i5-V2
PRODUCT	RACK MOUNT COMPUTER				
FINISH	CRINKLE BLACK POWDER PAINT	Transduction		CHECKED BY	NTS
TITLE	LAYOUT	DRAWING No	B-571		
REVISION	1	SCALE	NTS		

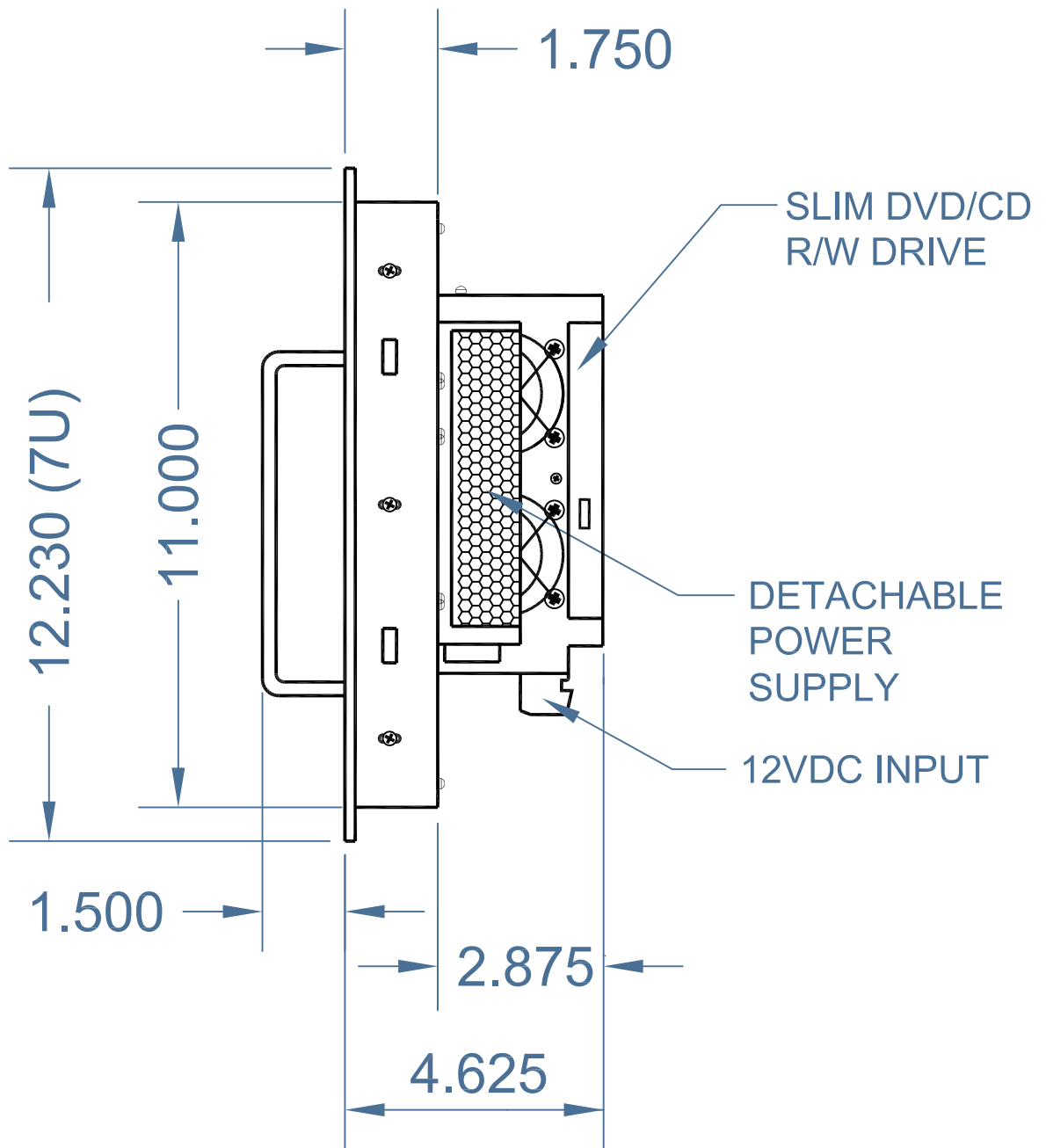
12VDC INPUT

DETACHABLE POWER SUPPLY



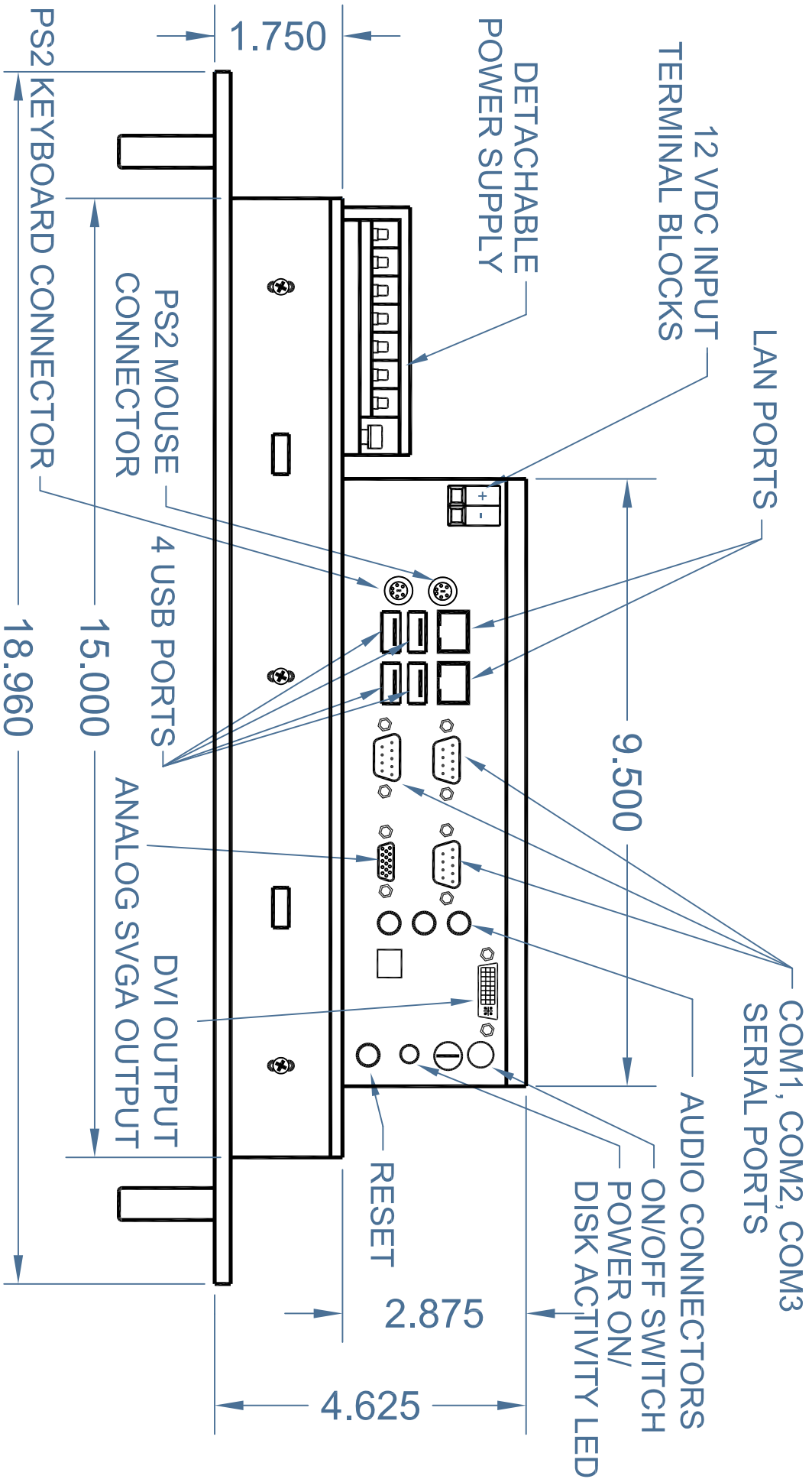
REAR VIEW

DATE	01-23-2025	DRAWN BY	B.G.	MODEL	TR-LCD1500-ITX-i5-V2
PRODUCT	RACK MOUNT COMPUTER		REVISION	1	SCALE
FINISH	Transduction		CHECKED BY	NTS	
TITLE	LAYOUT			DRAWING No	B-572



RIGHT SIDE VIEW

DATE	DRAWN BY	MODEL		
01-23-2025	B. G.	TR-LCD1500-ITX-i5-V2		
PRODUCT	RACK MOUNT COMPUTER		REVISION	SCALE
			1	NTS
FINISH	CRINKLE BLACK POWDER PAINT	Transduction	CHECKED BY	
TITLE	LAYOUT		DRAWING No	B-573



BOTTOM VIEW

DATE	01-23-2025	DRAWN BY	B.G.	MODEL	TR-LCD1500-TX-I5-V2
PRODUCT	RACK MOUNT COMPUTER		REVISION	1	SCALE
FINISH	CRINKLE BLACK POWDER PAINT	Transduction		CHECKED BY	NTS
TITLE	LAYOUT			DRAWING No.	B-574